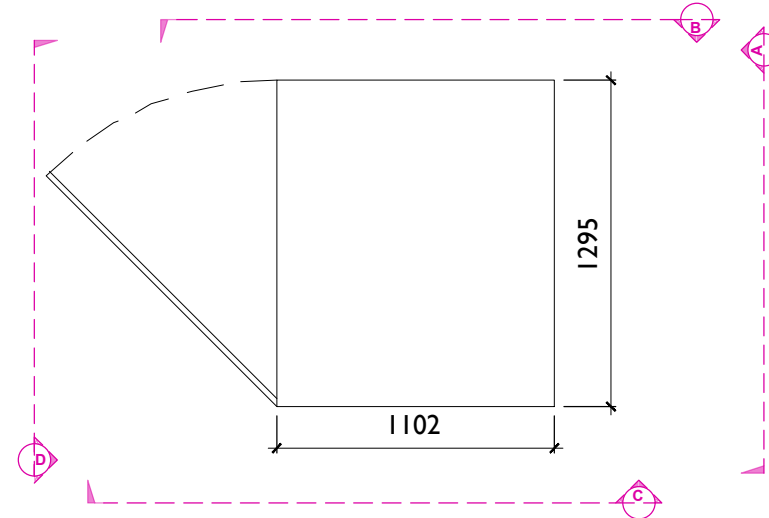
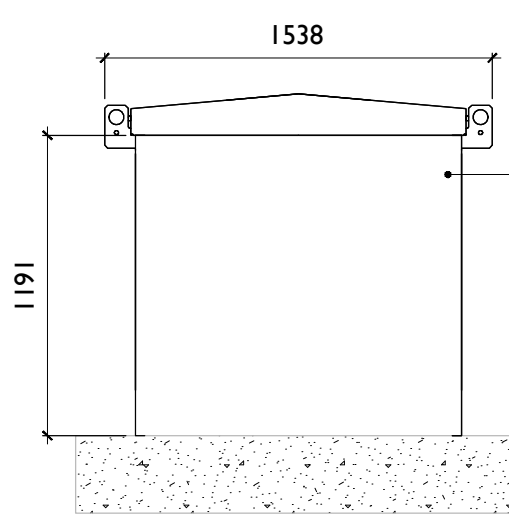


House Transformer (House TX)

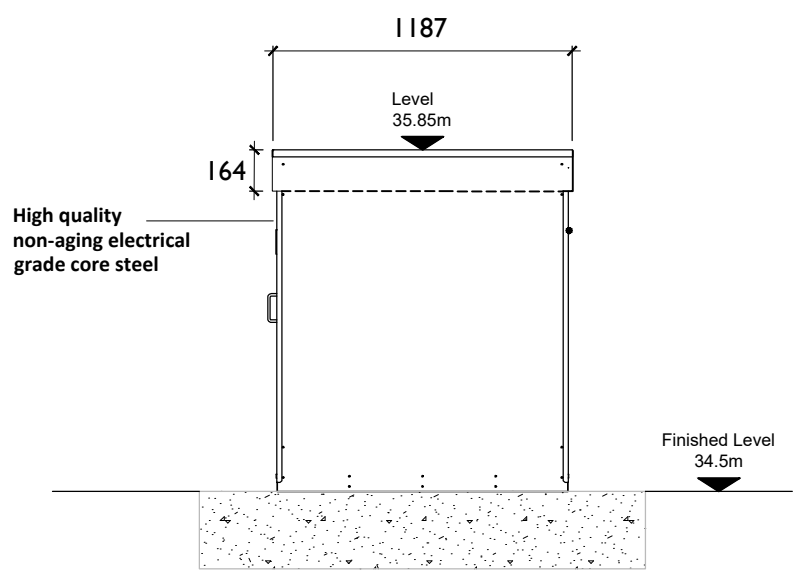


Note:

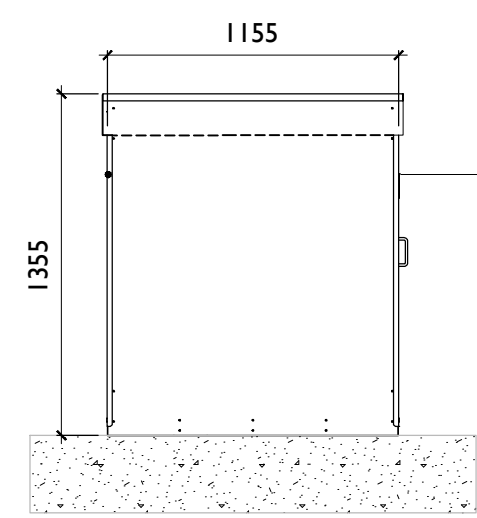
- This drawing is subject to ESB and EirGrid design approval and should not be used for construction.
- This drawing is to be read in conjunction with relevant drawings, specifications and reports.
- Dimensions are in millimeters, unless noted otherwise.
- Drawings are not to be scaled use figured dimensions only.



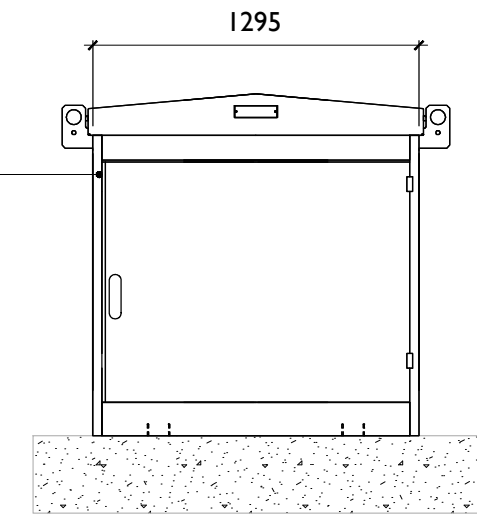
Side Elevation (A-A Section)
SCALE 1:30



Side Elevation (B-B Section)
SCALE 1:30



Rear Elevation (C-C Section)
SCALE 1:30



Front Elevation (D-D Section)
SCALE 1:30



Head Office
Beenreigh,
Abbeydorney,
Tralee, Co. Kerry
Ireland
Tel: 00353 66 7135710



CLIENT
STRATEGIC POWER PROJECTS

PROJECT
Proposed 220kV
Substation & Grid Connect

PROJECT NUMBER
05-895

SHEET NUMBER
05895-DR-211

SHEET TITLE
**House Transformer Unit
Plan & Section Views**

DRAWING STATUS
For Planning

ISSUE/REVISION		
I/R	DATE	DESCRIPTION
P2	06.12.22	Issued for Planning
P1	02.12.22	Issued for Planning