

PROJECT

**Proposed 220kV
 Substation & Grid
 Connect**

CLIENT



CONSULTANTS



NOTES: -

- This drawing is to be read in conjunction with relevant drawings, specifications and reports
- Dimensions are in millimetres, unless noted otherwise
- Drawings are not to be scaled use figured dimensions only

LEGEND: -

ISSUE/REVISION

NO	DATE	DESCRIPTION
P2	06.12.22	Issued for Planning
P1	02.12.22	Issued for Planning
I/R	DATE	DESCRIPTION

PROJECT NUMBER

05-895

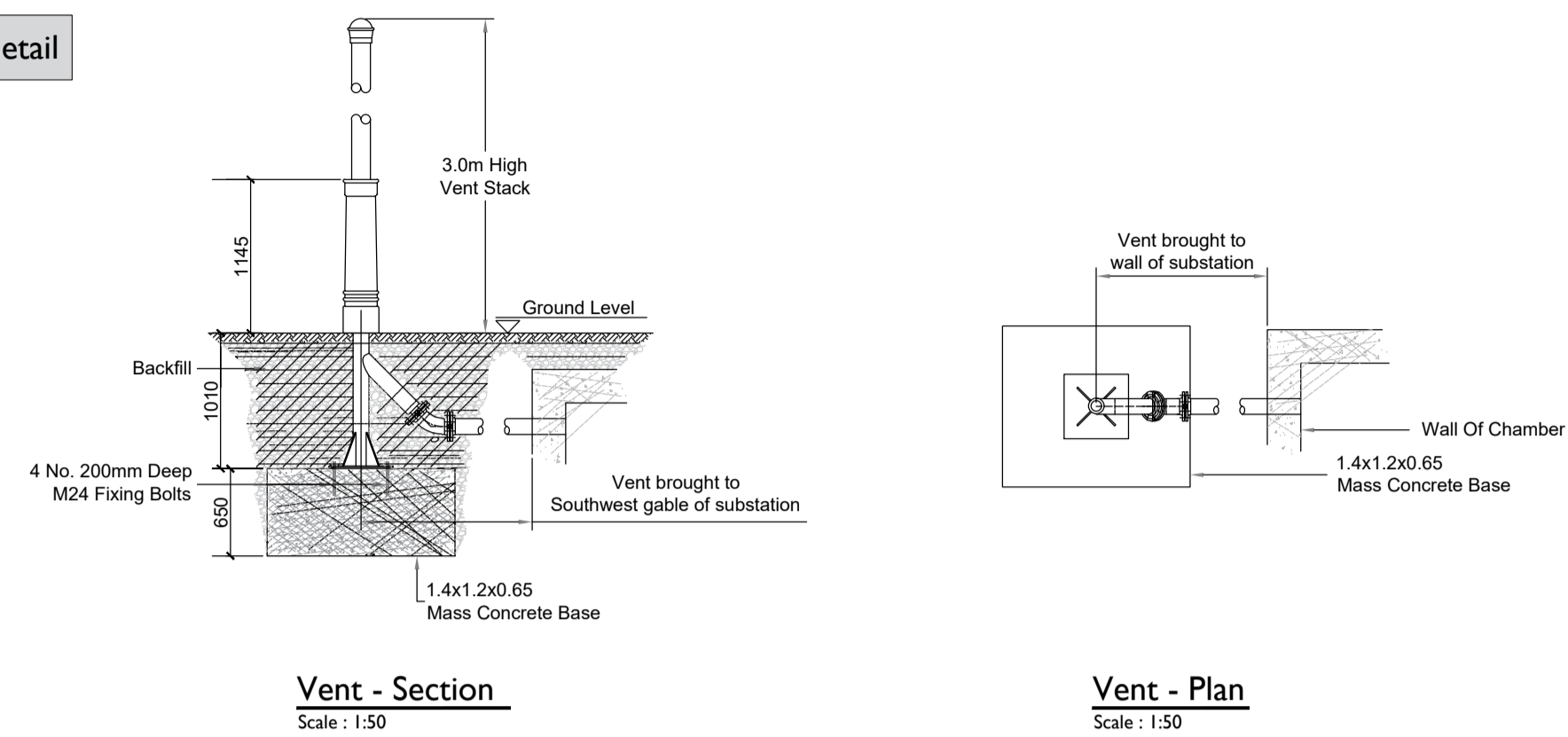
SHEET TITLE

Rain Water Harvesting Tank & Vent details

SHEET NUMBER

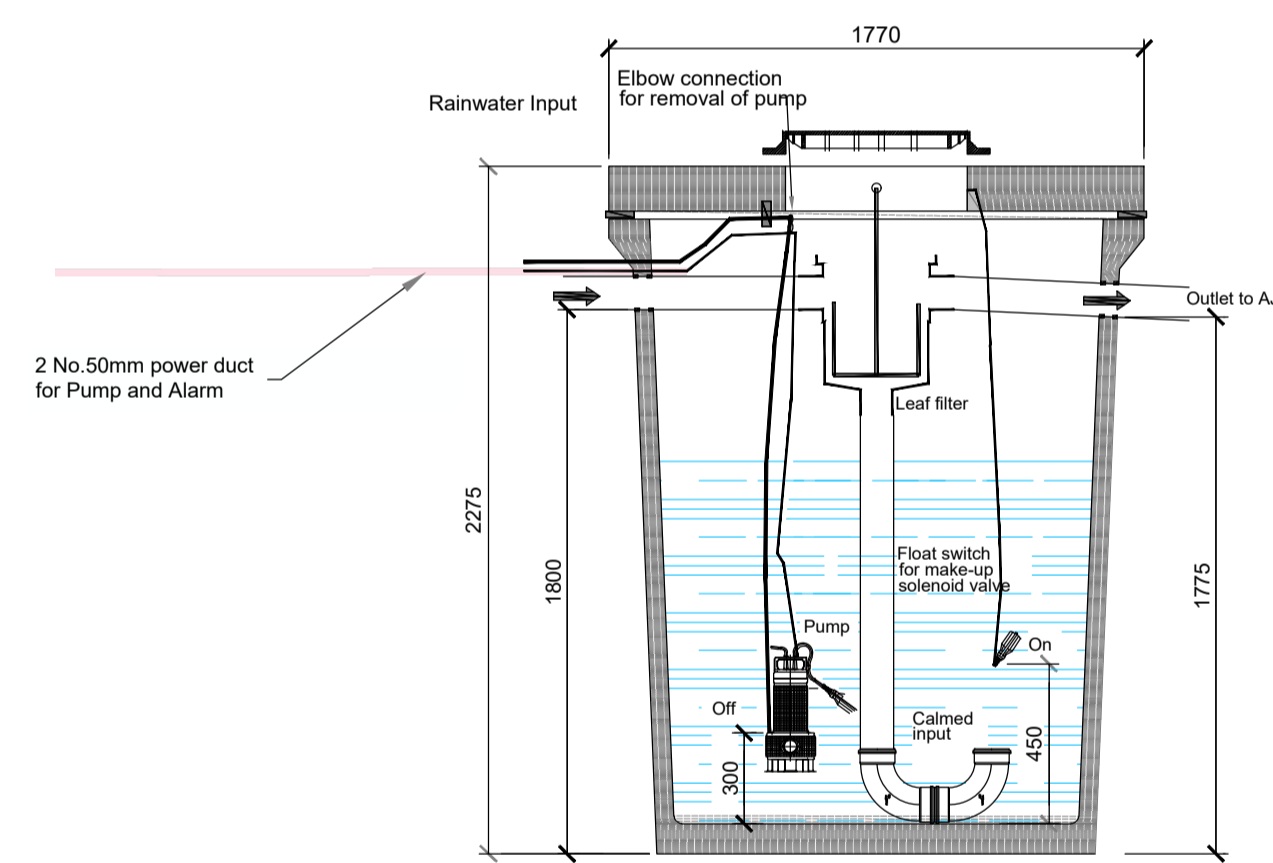
05895-DR-208

Vent Stack detail

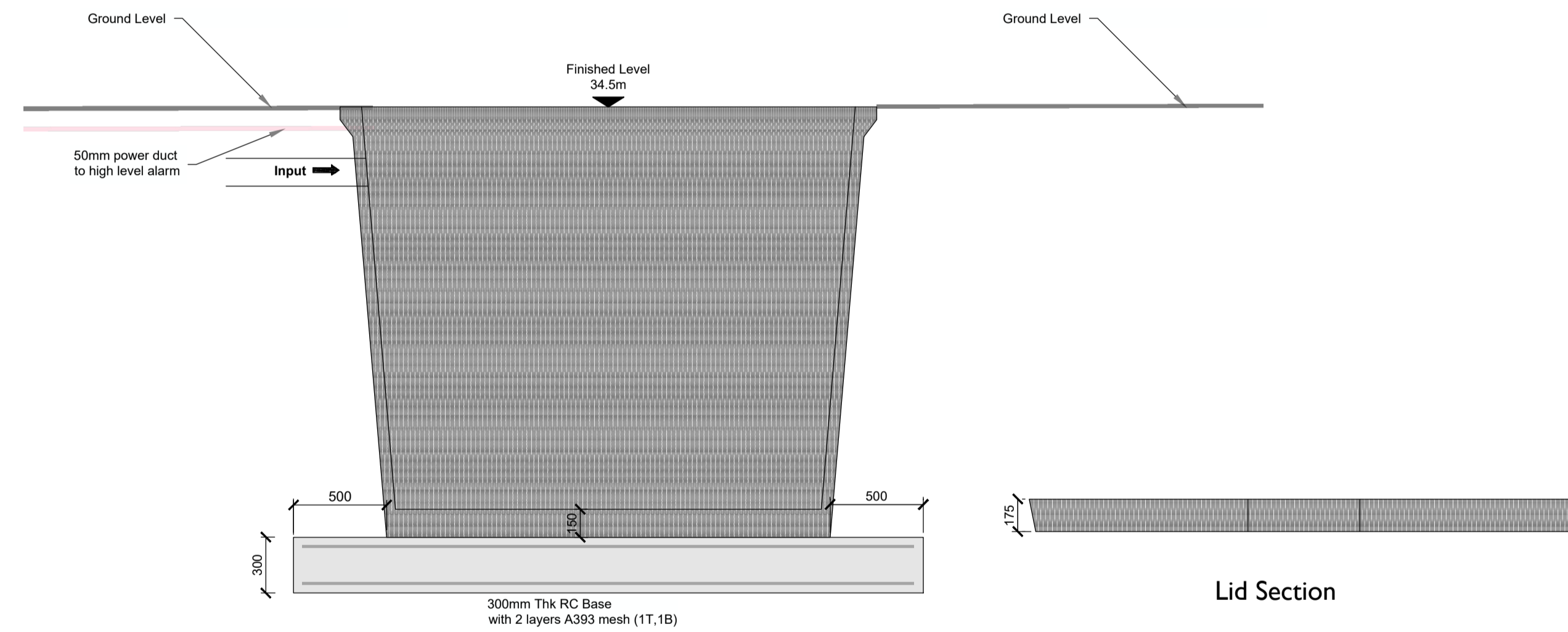


Harvested Water Holding Tank

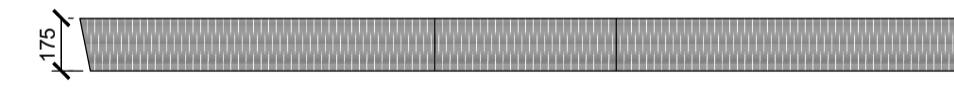
3500 litre Rainwater harvesting tank complete with overflow, pump, with 30 micron & 5 micron filtration & uv sterilisation system to allow rainwater to be re-used as potable water



Harvested Holding Tank backfilled with 6F2 Stone fill

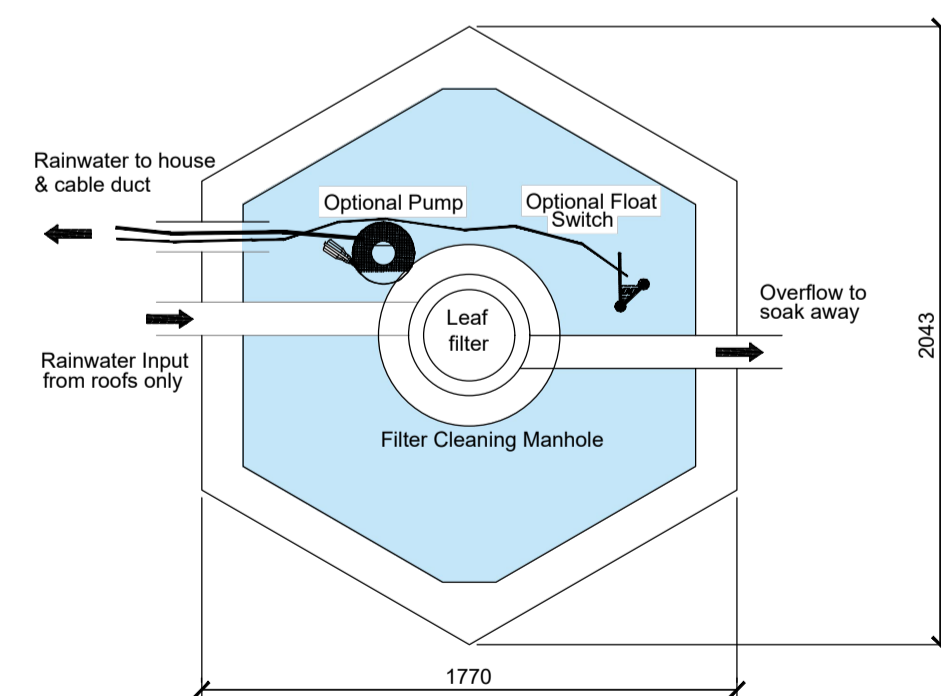


Lid Section

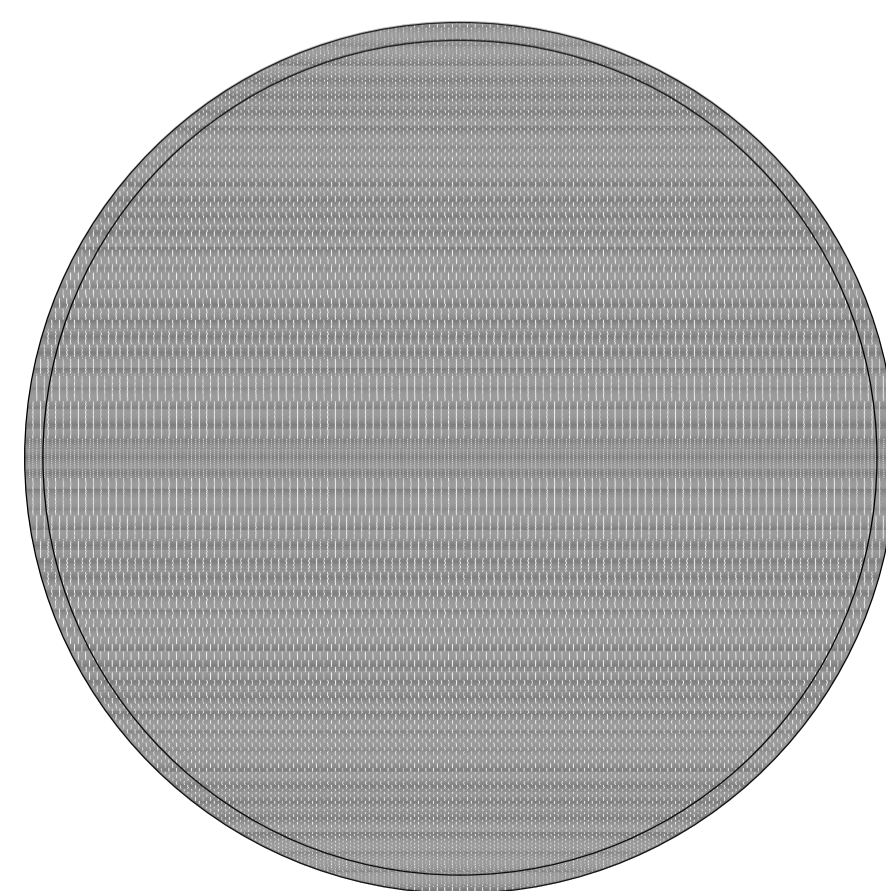


Rain Water Harvesting - H+ Tank (3,500 Litres)

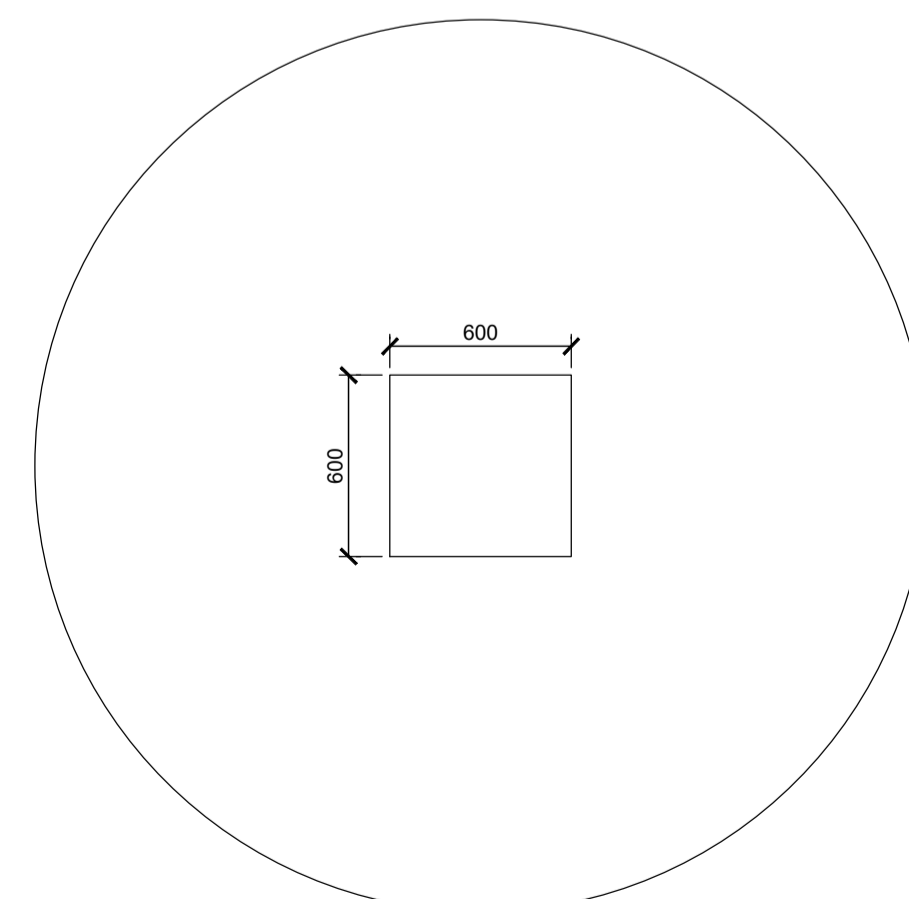
Scale: 1:25



Tank Top Plan



Lid Top Plan



Harvested Holding Tank (Volume 5m³)

Scale: 1:25